

Datasheet_GVT-1000

Gigabit Ethernet Media Converter

LevelOne's GVT-1000 is a Gigabit Ethernet Media Converter that provides the flexibility for user's network connection. The device equips with a copper port and a mini GBIC port to integrate copper/fiber network and transforms 1000Base-T media to 1000Base-SX/LX media and vice versa. GVT-1000 can simplify the network integration while the mini GBIC standard becomes more popular and money saving solution. The 1000Base-T port supports full-duplex Gigabit connection at wire speed with RJ45 connector as well as the fiber Gigabit connection supports SX/LX/ZX optic with multi-mode and single-mode mini GBIC connector with LevelOne's SFP transceiver. With the Plug-and-play technology, the converter is easy to set-up and run. For simple, cost-effective network design, GVT-1000 is the perfect solution to bridge the complex network infrastructure.



GVT-1000

Key Features and Benefits

- IEEE802.3z 1000BASE-SX/LX compliance
- Simplify the integration of fiber connection
- Plug-and-Play
- Compact sized
- Combines heterogeneous networking
- Connection for longer distance
- Connect with RJ-45 (1000T) and mini-GBIC
- Cost-effective solution

Appropriate SFP Transceiver

Choosing appropriate SFP Transceiver to fit GVT-1000

- GVT-0300 1000BASE-SX SFP Transceiver
- GVT-0301 1000BASE-LX SFP Transceiver
- GVT-0302 1000BASE-ZX SFP Transceiver

Transceiver	Connector	62.5 μ Multimode	50 μ Multimode	9 μ Singlemode
GVT-0300	LC	220m	550m	-
GVT-0301	LC	-	-	10Km
GVT-0302	LC	-	-	70Km

LevelOne Switches Compatible List

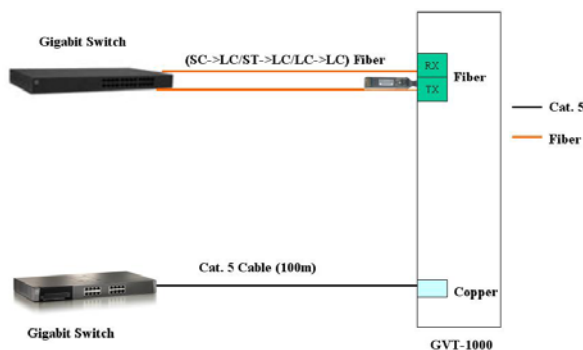
- **ProCon 19" Switch**
FSW-1651T/2451T
- **ProCon 19" Web Smart Switch**
GSW-2742TGX
GSW-4870TGX
GSW-1675T/2475T
GSW-1674T/2474T
- **ProCon 19" L2/L3 SNMP Switch**
GSW-2491TXM w/ MDU-1040, MDU-0142
GSW-2600TXM w/ MDU-1040, MDU-0142
- **SohoCon 19" Switch**
GSW-0502T/0802T
- **OfficeCon 11" Switch**
GSW-0840T

Datasheet_GVT-1000

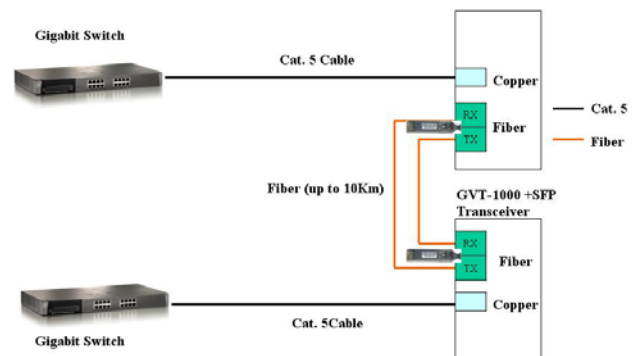
Technical Specification

- **Standard**
 - IEEE802.3ab 1000BASE-T
 - IEEE802.3z 1000BASE-SX/LX
- **Data Transfer Rate**
 - 1488000pps for 1000Mbps
- **Duplex Mode**
 - Full Duplex Mode
- **Network Cable**
 - 1000BASE-T:**
 - 4-pair STP Cat. 5 cable EIA/TIA-568 100-ohm (100m)
 - 1000BASE-SX:**
 - 62.5/125 μ m multi-mode fibre optic cable (220m)
 - 50/125 μ m multi-mode fibre optic cable (550m)
 - 1000BASE-LX:**
 - 9/125 μ m single-mode fibre optic cable (70km)
- **Media Interface**
 - RJ-45, mini-GBIC
- **Power Input:**
 - External power adaptor 7.5V 1.5A
- **Power Consumption:**
 - 5.5W (Max)
- **LEDs**
 - PWR, LNK/ACT
- **Temperature:**
 - Operation: 0°C ~40°C
 - Storage: -10°C ~70°C
- **Humidity**
 - 0~90%, Non-Condensing
- **Dimension**
 - 120mm(L)* 88mm(W)* 25mm(H)
- **Weight**
 - 305 g
- **EMI and Safety**
 - FCC Class B, CE Class B

Product Diagram



Connection between Fiber and Copper



Connection for Greater Distance

Order Information

- GVT-1000: Gigabit Ethernet Media Converter
- GVT-0300: 1000BASE-SX SFP Transceiver
- GVT-0301: 1000BASE-LX SFP Transceiver
- GVT-0302: 1000BASE-ZX SFP Transceiver

Note: GVT-1000 can not be used in FVT-2000 19" rack-mounted Converter Chassis